

Specifications

Size	1/2", 3/4" and 1" Threaded NPT
Temperature Range	Water, Air: to 180°F Max.
Materials	
Body & Cover:	Cast Bronze UNS C87850 -Standard Stainless Steel ASTM A743-CF-16F Monel Super Duplex Stainless Steel
Trim:	303 Stainless Steel Monel
Rubber:	Buna-N® Synthetic Rubber
Pressure Ratings	Cast Bronze 400 psi Max. Stainless Steel 400 psi Max.
Other Materials	Available on special order

Adjustment Ranges UL Listed

10 to 75 psi • 20 to 200 psi • 20 to 300 psi • 100 to 300 psi

Adjustment Ranges FM Approved

0 to 75 psi • 20 to 200 psi • 20 to 300 psi • 100 to 300 psi

Pressure Drop Chart (Full Open Valve)

Valve Size	C _v Factor	Max Flow (GPM)
1/2"	6	25
3/4"	8.5	40
1"	12.8	65

Standard Factory Set Points* (1/2", 3/4", 1")

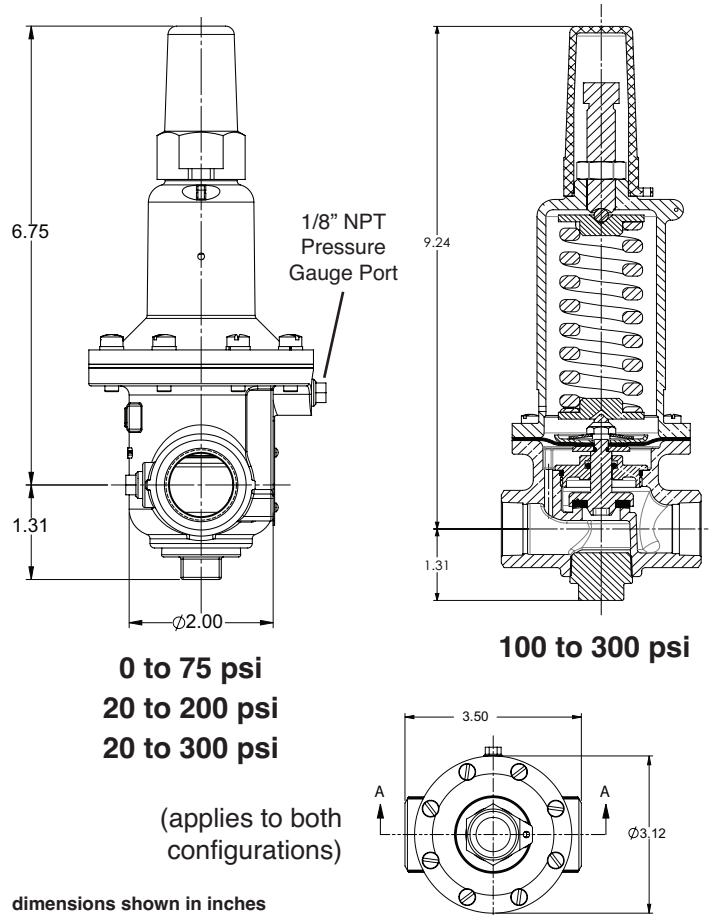
0 -75 psi	20 - 200 psi	20 - 300 psi	100 - 300 psi
50 psi	60 psi	60 psi	100 psi

* Custom set points available upon request

When Ordering, Please Specify

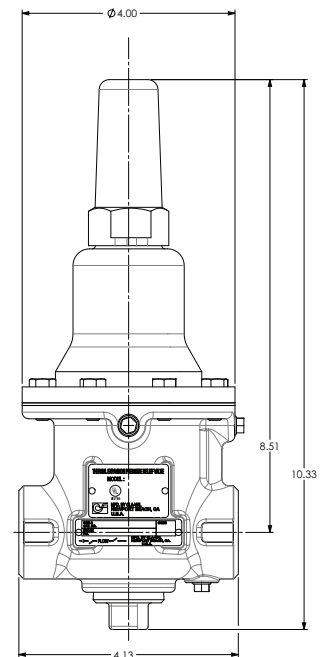
1. Catalog No. 55L-60
2. Valve Size
3. Adjustment Range Desired
4. Optional Materials

Dimensions (1/2" and 3/4")



Dimensions (1"):

Spring Range:
20-75
40-200
100-300



E-55L-60 (R-03/2021)

COPYRIGHT CLA-VAL 2021 Printed in USA Specifications subject to change without notice.

CLA-VAL

1701 Placentia Avenue • Costa Mesa CA 92627
800-942-6326 • Web Site: www.cla-val.com • E-mail: info@cla-val.com

ZENSITEC

Seguridad, Medio Ambiente y Energía
Email: info@zensitec.com
Web: www.zensitec.com